



CRI 85

CRI 95



AÑOS DE GARANTÍA



LM 80



2835 98

Tira de led flexible y autoadhesiva (3M). **Elevado CRI**. Rollo de 5M.

💡 1180 lm

⚡ 10W 24V

⚙️ CRI 85 / 95

👁️ IP33 / 66

🌒 Dim

🌡️ 2700K / 3000K / 4200K

2835 98

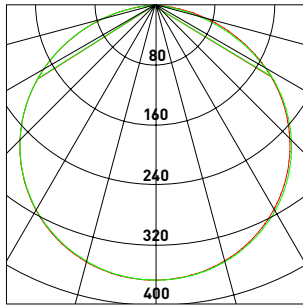
ESPECIFICACIONES TÉCNICAS

| Código | CT | CRI | lm/M | W/M | V | Led/M | IP | Áng. | Dimer | Sist. dim. |
|-------------|-------|-----------|------|-----|----|-------|----|------|-------|------------------|
| 101350490WW | 2700K | 85 | 1090 | 10 | 24 | 98 | 33 | 120° | Sí | TRIAC/1-10V/DALI |
| 101350490SW | 3000K | 85 | 1135 | 10 | 24 | 98 | 33 | 120° | Sí | TRIAC/1-10V/DALI |
| 1013504900W | 4200K | 85 | 1180 | 10 | 24 | 98 | 33 | 120° | Sí | TRIAC/1-10V/DALI |
| 102350490WW | 2700K | 85 | 1035 | 10 | 24 | 98 | 66 | 120° | Sí | TRIAC/1-10V/DALI |
| 102350490SW | 3000K | 85 | 1077 | 10 | 24 | 98 | 66 | 120° | Sí | TRIAC/1-10V/DALI |
| 1023504900W | 4200K | 85 | 1120 | 10 | 24 | 98 | 66 | 120° | Sí | TRIAC/1-10V/DALI |
| 101350495WW | 2700K | 95 | 1055 | 10 | 24 | 98 | 33 | 120° | Sí | TRIAC/1-10V/DALI |
| 101350495SW | 3000K | 95 | 1110 | 10 | 24 | 98 | 33 | 120° | Sí | TRIAC/1-10V/DALI |
| 1013504950W | 4200K | 95 | 1165 | 10 | 24 | 98 | 33 | 120° | Sí | TRIAC/1-10V/DALI |
| 102350495WW | 2700K | 95 | 1000 | 10 | 24 | 98 | 66 | 120° | Sí | TRIAC/1-10V/DALI |
| 102350495SW | 3000K | 95 | 1055 | 10 | 24 | 98 | 66 | 120° | Sí | TRIAC/1-10V/DALI |
| 1023504950W | 4200K | 95 | 1105 | 10 | 24 | 98 | 66 | 120° | Sí | TRIAC/1-10V/DALI |

MacAdam <2

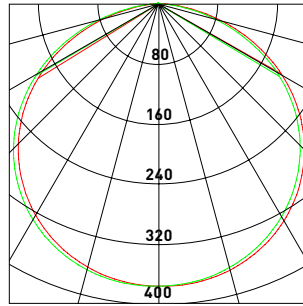
DISTRIBUCIÓN DE INTESIDAD LUMÍNICA

CRI 85



— C0 / 180,118.5
— C90 / 270,118.9

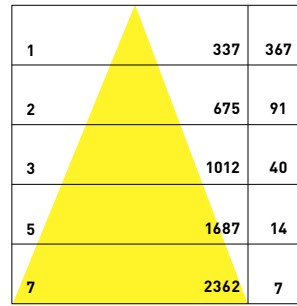
CRI 95



— C0 / 180,117
— C90 / 270,117

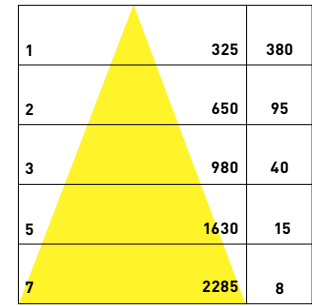
PROYECCIÓN DE LUZ A DISTANCIA

CRI 85



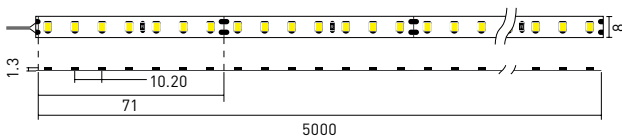
Mt 118° Cm Lx
(Altura) (Diámetro)

CRI 95



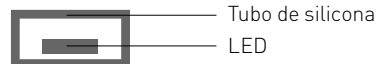
Mt 117° Cm Lx
(Altura) (Diámetro)

DIMENSIONES (mm)



IP66 (WxH): 10 x 4

IP 66



— Tubo de silicona
— LED

