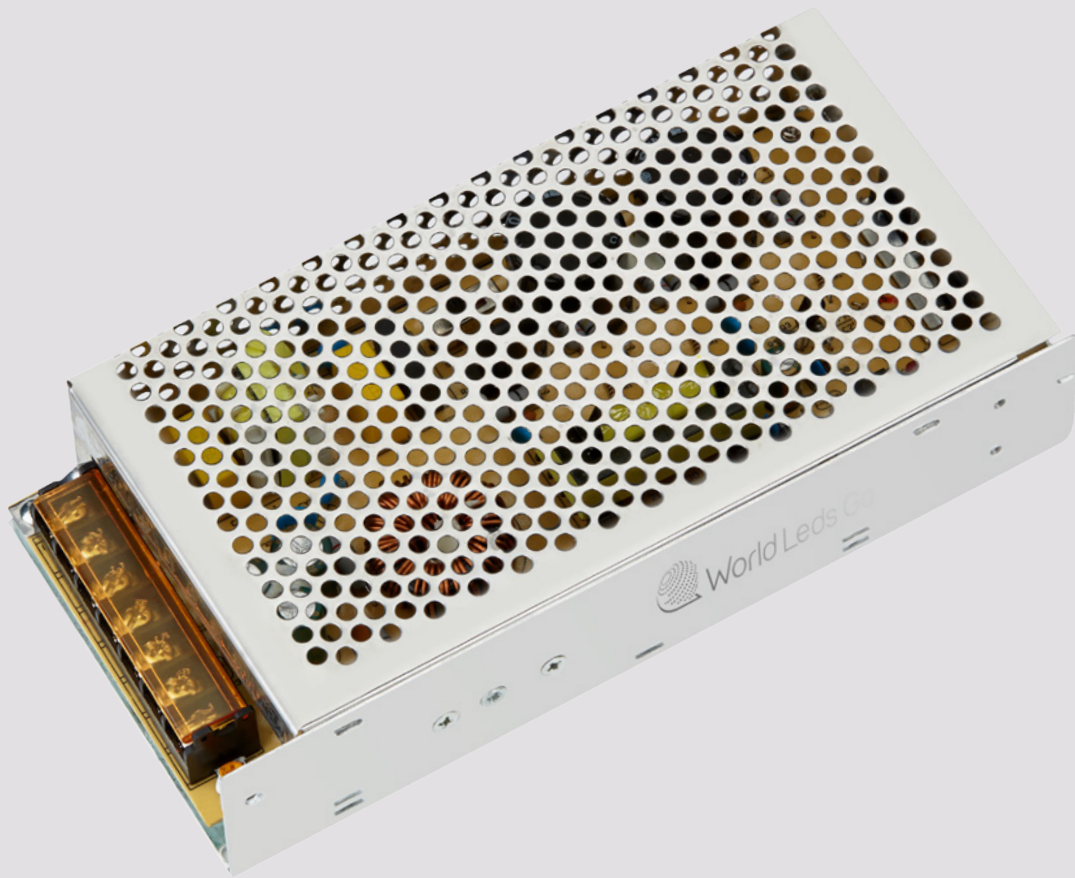


FUENTE SWITCHING 200W



De fácil instalación gracias a su tamaño compacto.
Alta eficiencia de transferencia.
100% Loaded. Protección contra corto-circuito.

VOLTAJE DE SALIDA **12V**

CARGA **200 W**

EFICIENCIA **82%**



AÑOS
DE GARANTÍA



FUENTE SWITCHING 200W

Especificaciones técnicas

CÓDIGO 8PS120200DCU

OUTPUT

DC Voltage	12V
Rated current	16.7A
Rated power	200W
Ripple & noise (max)	<500mVp-p
Setup, rise time	1500ms/120VAC
Line regulation	1%
Load regulation	1%

INPUT

Voltage	170~250V
Frecuency	50/60Hz
Efficiency	82%
Power factor	0.6
Current	230V:2.4A max.
Inrush current	40A

PROTECTION

Open circuit	Yes, cut-off mode. Output shuts down if overloaded
Short circuit	Yes, output shut down, recovers automatically after fault condition is removed

ENVIRONMENT AND OTHERS

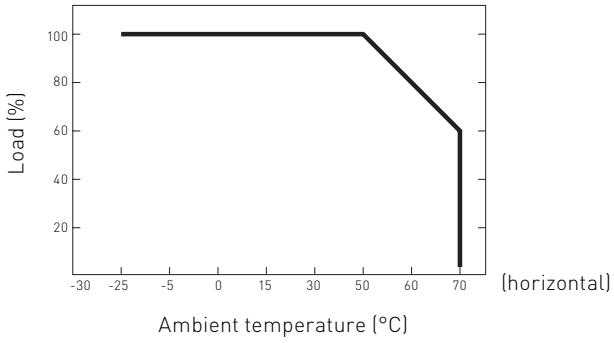
Working temperature	-30~60°C
Working humidity	20~95%RH
Storage temp.	-40~80°C
Storage humidity	10~95%RH
Life spam	50K hours @ 20 °C working temperature

STANDARD REQUEST

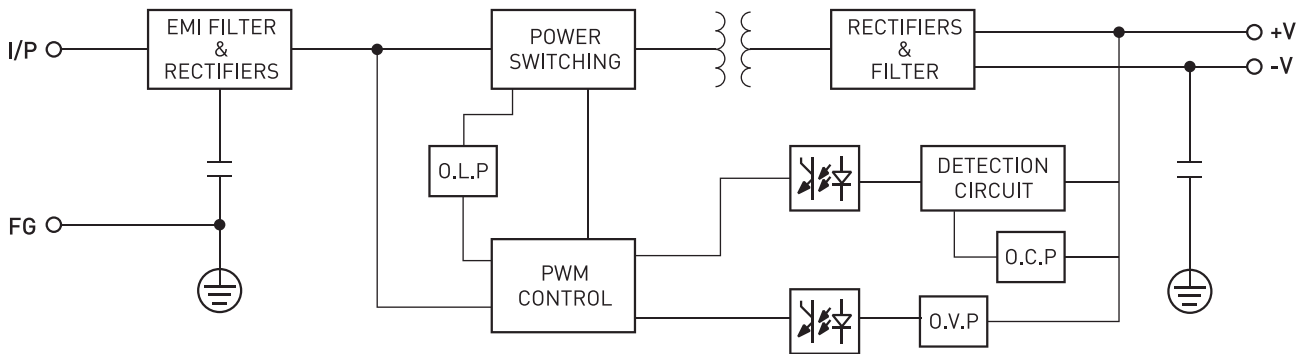
Safety	EN61347-2-13
Withstand voltage	I/P-0/P:1500VAC/1min/<5mA
Isolation resistance	I/P-0/P:>100M Ohms / 500VDC / 25°C / 70%RH

FUENTE SWITCHING 200W

Derating curve



Instalación



Dimensiones (mm)

